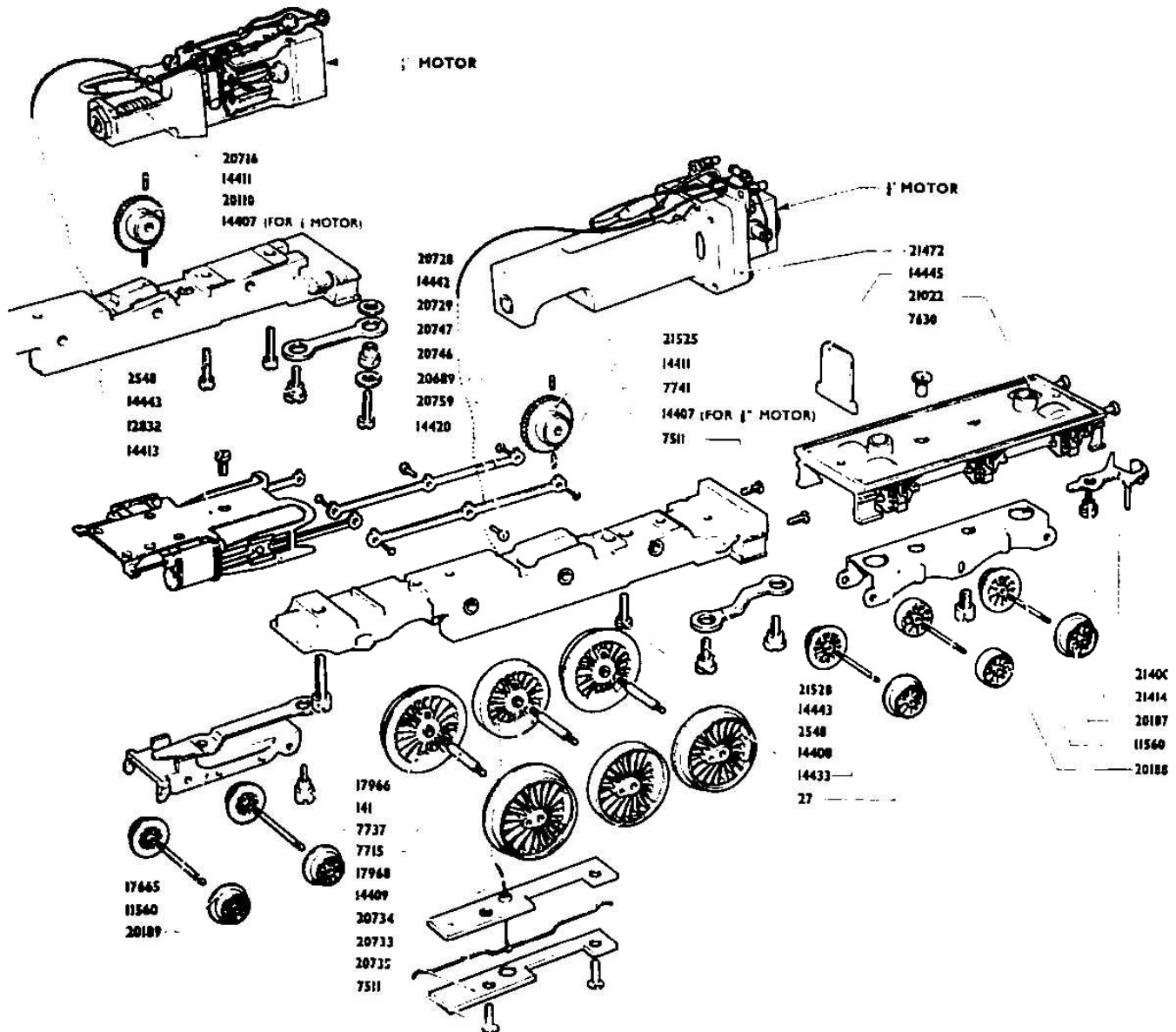


4-6-0 CASTLE CLASS LOCOMOTIVE AND TENDER 2-RAIL

No. 2220 ORIGINAL TYPE WITH 1/2" MOTOR — No. 2221 MODIFIED TYPE WITH 1/2" MOTOR



- 141 Screw
- 2548 Screw
- 7511 Screw
- 7715 Axle
- 7737 Screw
- 7741 Coupling Rod Pin
- 11560 Axle
- 17665 Bogie & Bracket Assembly
- 20189 Wheel
- 12832 Screw
- 14407 Chassis (For motor job No. 21472)
- 14408 Wheel with Flange
- 14409 Wheel without Flange
- 14411 Grub Screw
- 14413 Cylinder Assembly
- 14420 Connecting Rod Pin
- 20689 Coupling Rod Pin (Insulated Wheels)
- 20690 Insulating Bush
- 20698 Wheel with Flange — Insulated

Front Bogie Assembly
Job No. 12377

Wheel with Flange (with Insulating Bush) Assembly
Job No. 17966

- 20690 Insulating Bush
- 20699 Wheel without Flange—Insulated
- 20733 Wire Collector
- 20734 Base for Collector
- 20735 Cover for Collector
- 20759 Coupling Rod
- 21472 Motor Assembly
- 21525 Worm Wheel

Wheel without Flange (with Insulating Bush) Assembly
Job No. 17968

TENDER

- 27 Screw
- 7630 Rivet
- 11560 Axle
- 14433 Underframe
- 20187 Wheel with Flange
- 20188 Wheel Without Flange

Underframe Assembly
Job No. 17833

- 14443 Screw
- 14445 Front Plate
- 21022 Chassis
- 21400 Coupling
- 21414 Rivet
- 21528 Drawbar

FOR 1/2" MOTOR—ITEMS AS STATED, EXCEPT FOR:—

- 14407 Chassis (For Motor Job No. 20716)
- 14442 Drawbar
- 20110 Worm Wheel
- 20716 Motor Assembly
- 20728 Washer
- 20729 Insulating Bush
- 20746 Screw
- 20747 Washer

ASSEMBLIES

- 14392 Housing Assembly
- 18666 Chassis Assembly (without motor)
- 21023 Chassis Assembly (with motor)