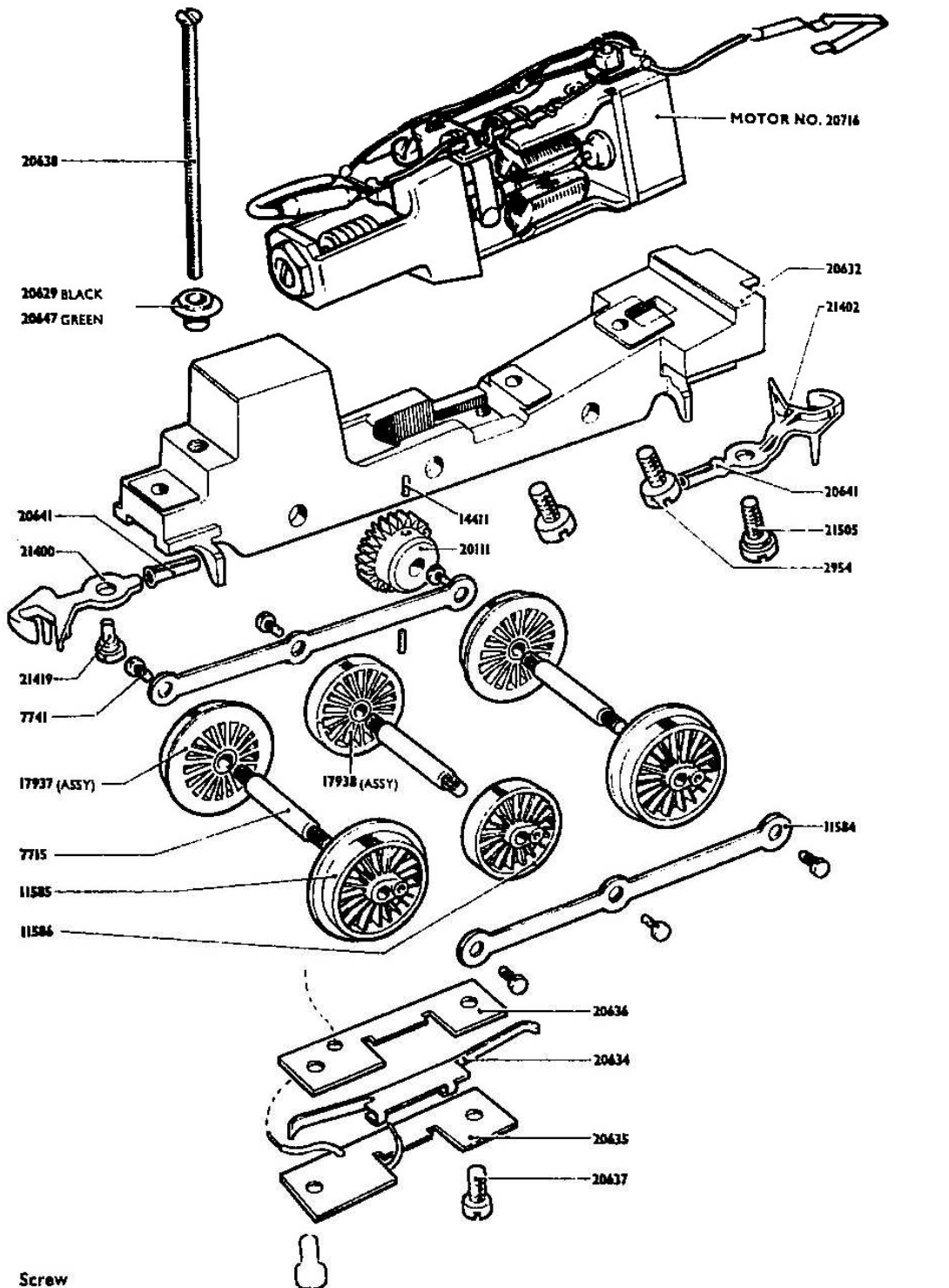


## 0-6-0 TANK LOCOMOTIVE 2-RAIL

No. 2206 and No. 2207



- 2954 Screw
- 7715 Axle
- 7741 Coupling Rod Pin
- 11584 Coupling Rod
- 11585 Wheel with Flange
- 11586 Wheel Without Flange
- 14411 Grub Screw
- 20111 Worm Wheel
- 20629 Chimney Top (Black)
- 20632 Chassis
- 20634 Collector
- 20635 Collector Mounting Plate
- 20636 Collector Insulator
- 20637 Screw
- 20638 Screw
- 20641 Coupling Spring
- 20647 Chimney Top (Green)
- 20690 Insulating Bush
- 20692 Insulating Bush
- 20693 Wheel without Flange (with Insulating Bush) Assembly Job No. 17937
- 20693 Wheel without Flange (with Insulating Bush) Assembly Job No. 17938

- 20690 Insulating Bush
- 20693 Wheel without Flange—Insulated
- 20716 Motor Assembly
- 21400 Coupling (Front)
- 21402 Coupling (Rear)
- 21419 Rivet (Front Coupling)
- 21505 Shouldered Screw

### ASSEMBLIES

- 18674 Chassis Assembly (Without Motor)
- 20631 Chassis Assembly (With Motor)
- 20628 Housing Assembly (Black)
- 20644 Housing Assembly (Green)