

www.mtrains.co.uk  
for Hornby Dublo spares



**HORNBY DUBLO MOTOR 2 & 3-RAIL - TYPE A & B. OLD TYPE & NEW**

LOCOMOTIVES Nos. 221, 224, 2235 2-RAIL - LOCOMOTIVES Nos. 321, 324, 3235 3-RAIL

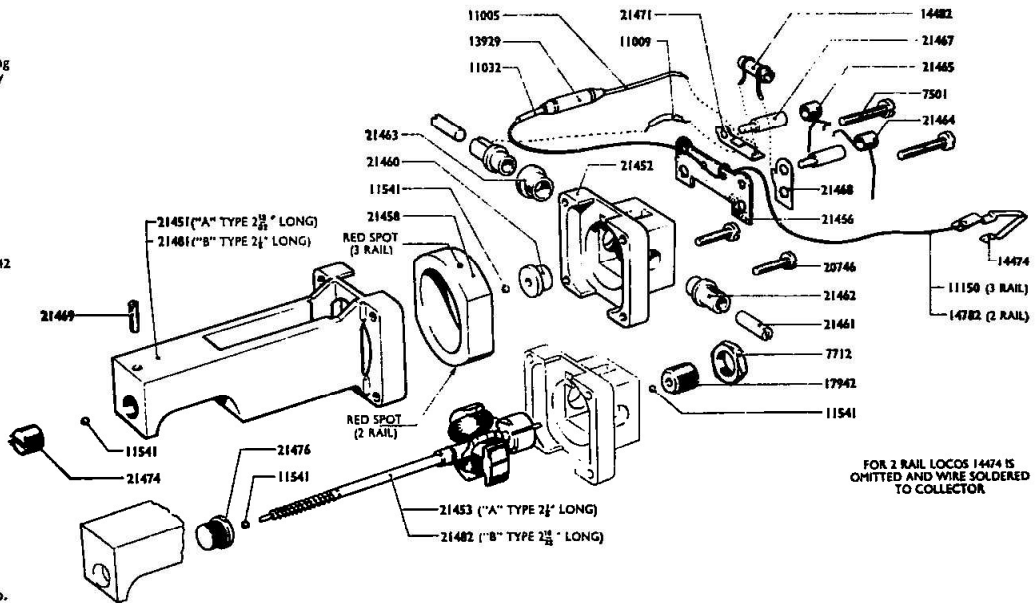
- 7501 Screw
- 7712 Locking Nut
- 11009 P.V.C. Sleeve
- 11541 Ball Bearing
- 17942 Adjustable Bearing Housing Assembly
- 20746 Screw
- 21451 Main Casting (Type 'A')
- 21452 End Casting (Type 'A')
- 21462 Brush Holder (Accommodates Bearing Assembly 17942)
- 21463 Brush Holder (Job No. 18421)
- 21453 Insulator
- 21458 Armature Shaft Assembly—Type 'A'
- 21458 Ring Magnet
- 21461 Brush
- 21464 Brush Spring L.H.
- 21465 Brush Spring R.H.
- 21466 Spring Mounting Plate } Spring Mounting
- 21467 Spring Retaining Pin } Plate Assembly
- 21468 Contact Piece } Job No. 18353
- 21471 Soldering Tag
- 21476 Fixed Bearing Housing Assembly
- 21481 Main Casting—Type 'B'
- 21482 Armature Shaft Assembly—Type 'B'

**ON ORIGINAL TYPE MOTORS:—**  
 18422 End Casting Assembly. Was Fitted Instead of 18421  
 21469 Grub Screw } Was Fitted  
 21474 Adjustable Bearing } Instead of  
 Housing Assembly } 21476  
 21460 Fixed Bearing. Was fitted Instead of 17942

**2-RAIL**  
 11005 P.V.C. Sleeve }  
 11032 P.V.C. Sleeve } Suppression  
 13929 Choke } Assembly  
 14482 Condenser } Job No. 18373  
 14782 Connecting Wire }  
 18353 Spring Mounting }  
 Plate Assembly }

**3-RAIL**  
 11005 P.V.C. Sleeve }  
 11032 P.V.C. Sleeve } Suppression  
 11150 Connecting Wire } Assembly  
 13929 Choke } Job 18374  
 14482 Condenser }  
 18353 Spring Mounting }  
 Plate Assembly }

LOCOMOTIVE		MOTOR No.
2-RAIL		
221	(Castle)	21472 ('A')
224	(2-8-0)	21473 ('B')
2235	(West Country)	21473 ('B')
3-RAIL		
321	(Castle)	21450 ('A')
324	(2-8-0)	21480 ('B')
3235	(West Country)	21473 ('B')



FOR 2 RAIL LOCOS 14474 IS OMITTED AND WIRE SOLDERED TO COLLECTOR

