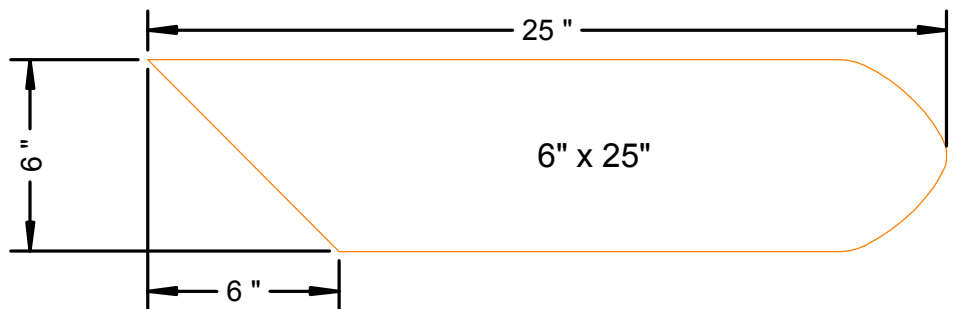
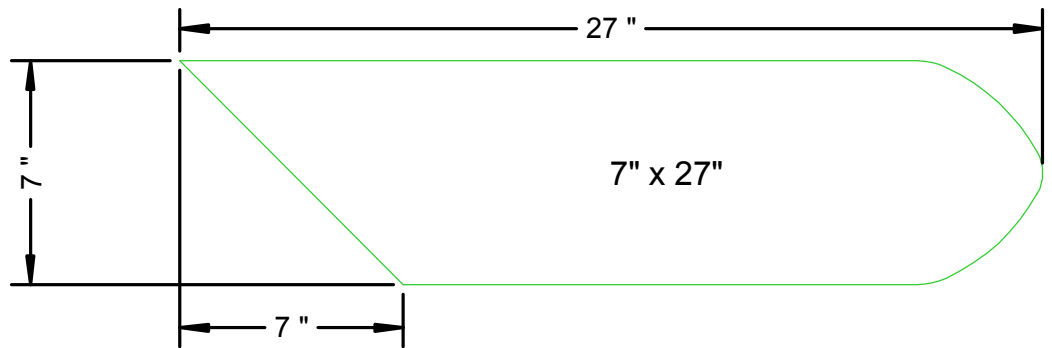
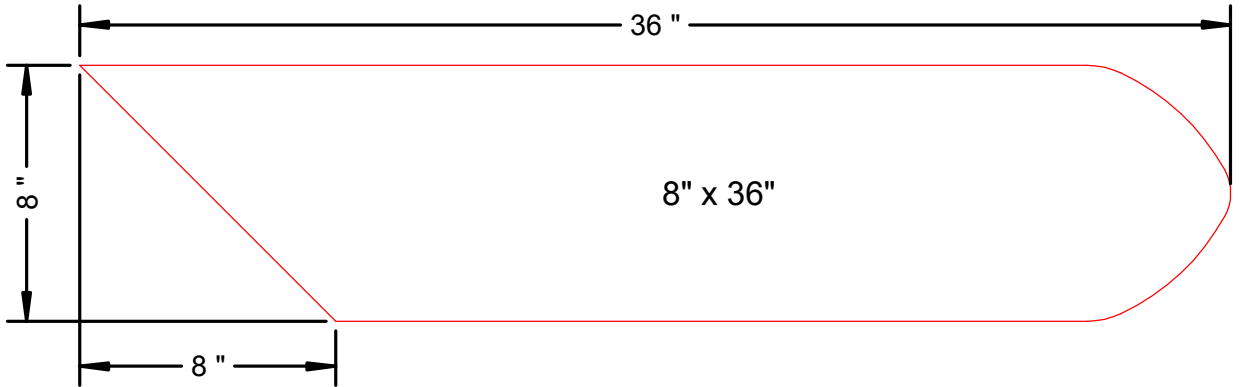
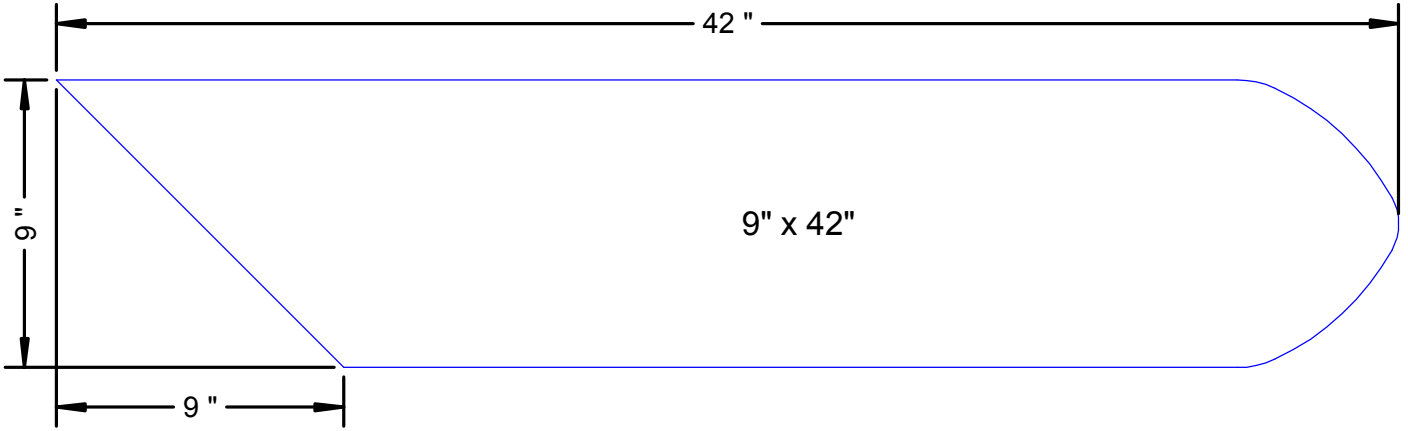


SHASTA WING - 4 Sizes - Overall Dimensions
Scale 1:6



SHASTA WING - Nose Template
Scale 1:1

Print this page from Acrobat Reader at
full scale onto Letter paper - be sure that
the 'Page Scaling' option box is set to 'None'

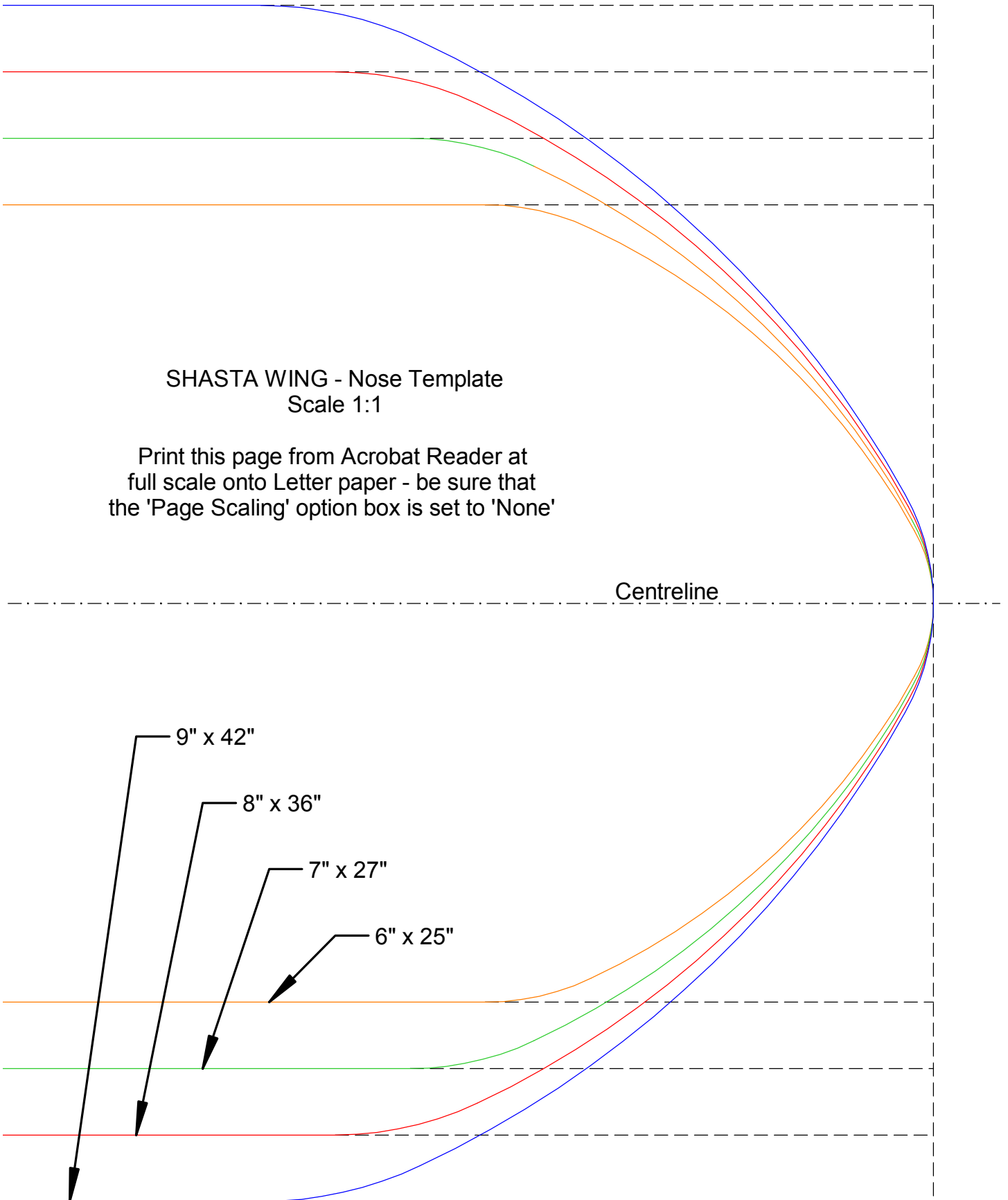
Centreline

9" x 42"

8" x 36"

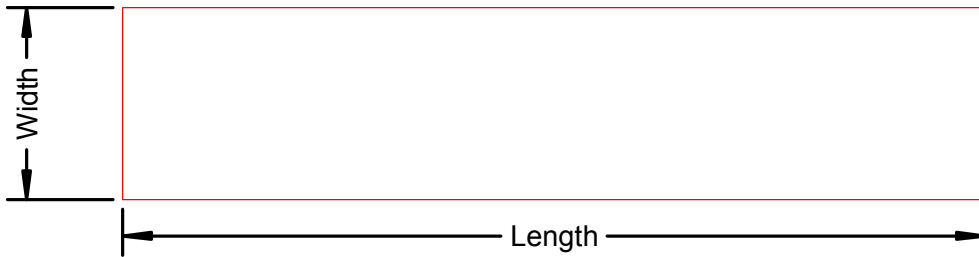
7" x 27"

6" x 25"

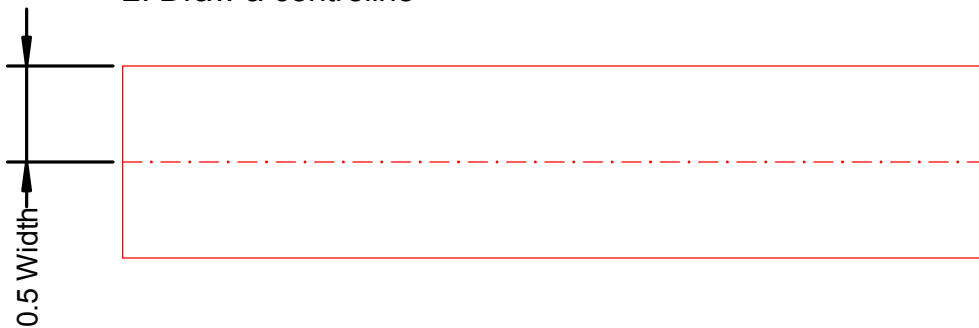


SHASTA WING - Method

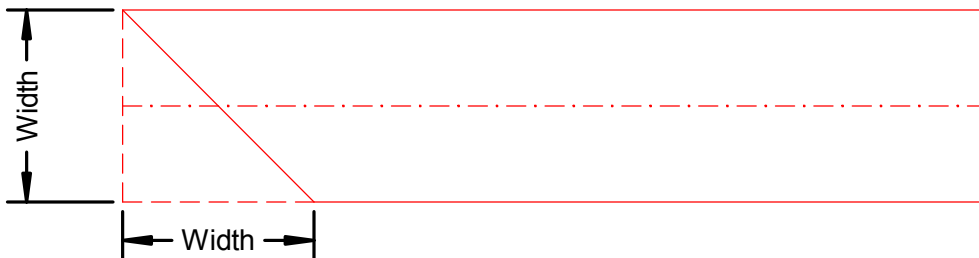
1. Draw out a rectangle the size of the wing you want



2. Draw a centreline



3. Draw the sloped tail at 45 degrees



4. Position the nose template so the end and the centreline match those you've drawn

