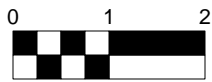
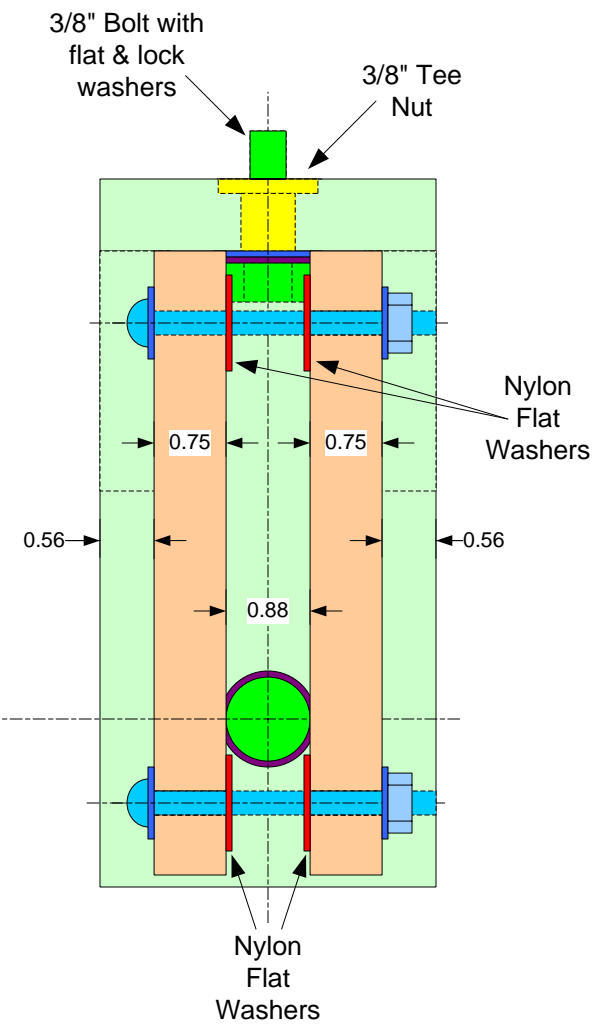
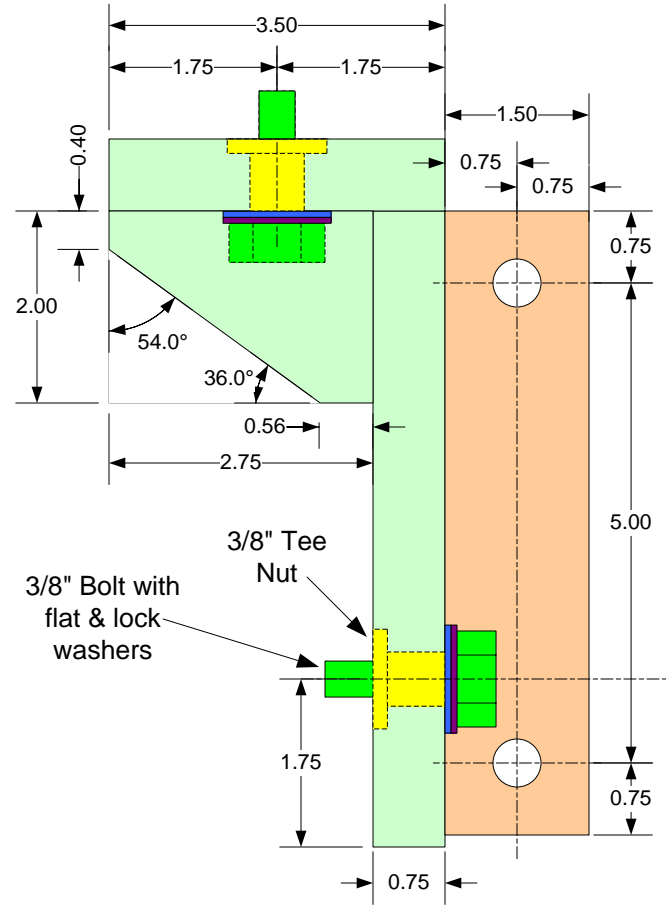
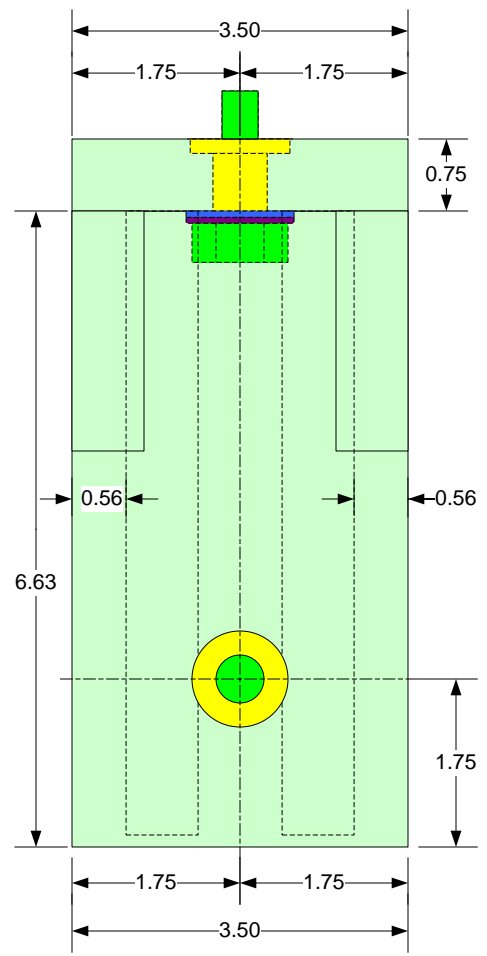


- Cut from 1" x 2" Board – Actual Board Size $\frac{3}{4}$ " x 1 $\frac{1}{2}$ "
- Cut from 1" x 4" Board – Actual Board Size $\frac{3}{4}$ " x 3 $\frac{1}{2}$ "

Scale = $\frac{1}{2}$ " : 1" 



Parallelogram Mount - Head Assembly

Rex L. Kindell Dec 2007