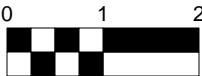
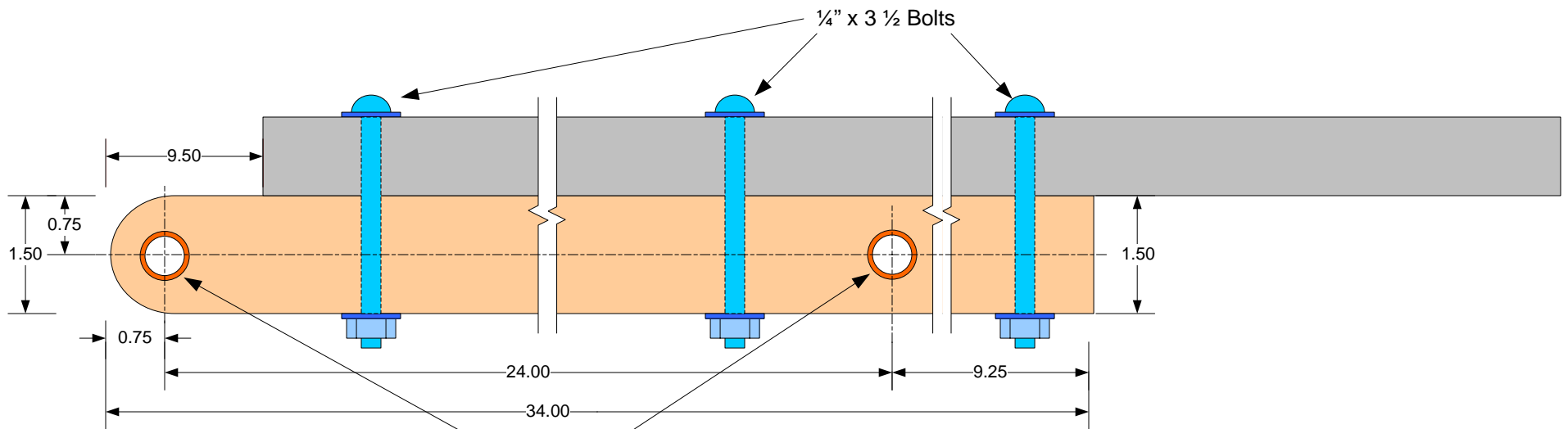


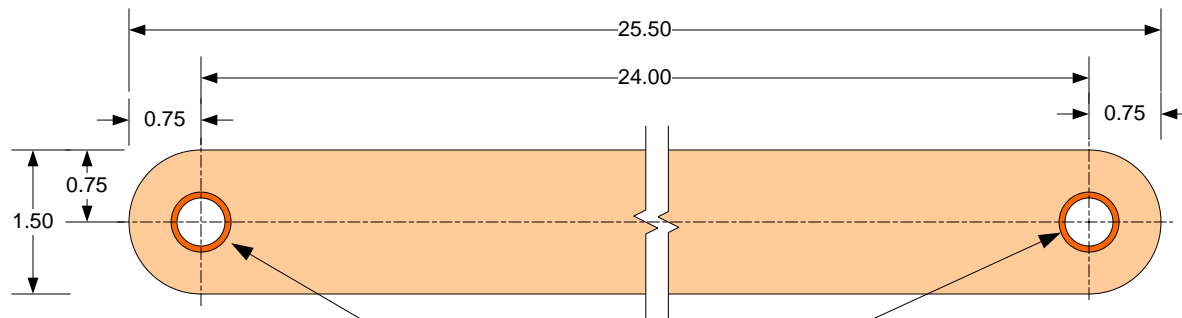
Cut from 1" x 2" Board – Actual Board Size ¾" x 1 ½"

¾" Black Iron Pipe - 36" Long

Scale = ½" : 1" 

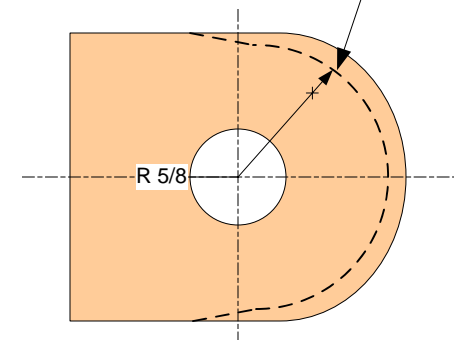


Steel Inserts
¼" ID x ½" OD x ¾" Long



Steel Inserts
¼" ID x ½" OD x ¾" Long

Actual cut line to
avoid interfere



Enlarge View
of the end
of an Arm